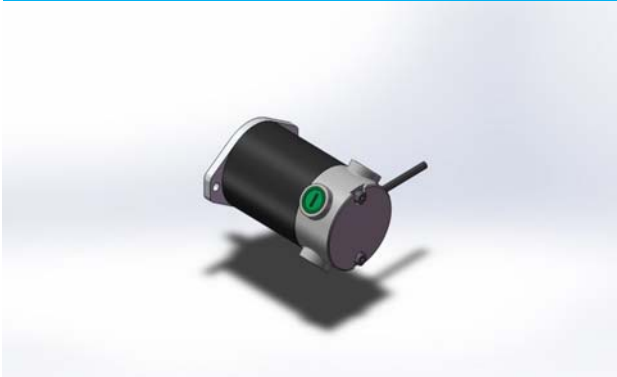


# EM64ZY08

## overview



## features

### application

Home application/Industrial/Boat/Truck/Driving part/Textile

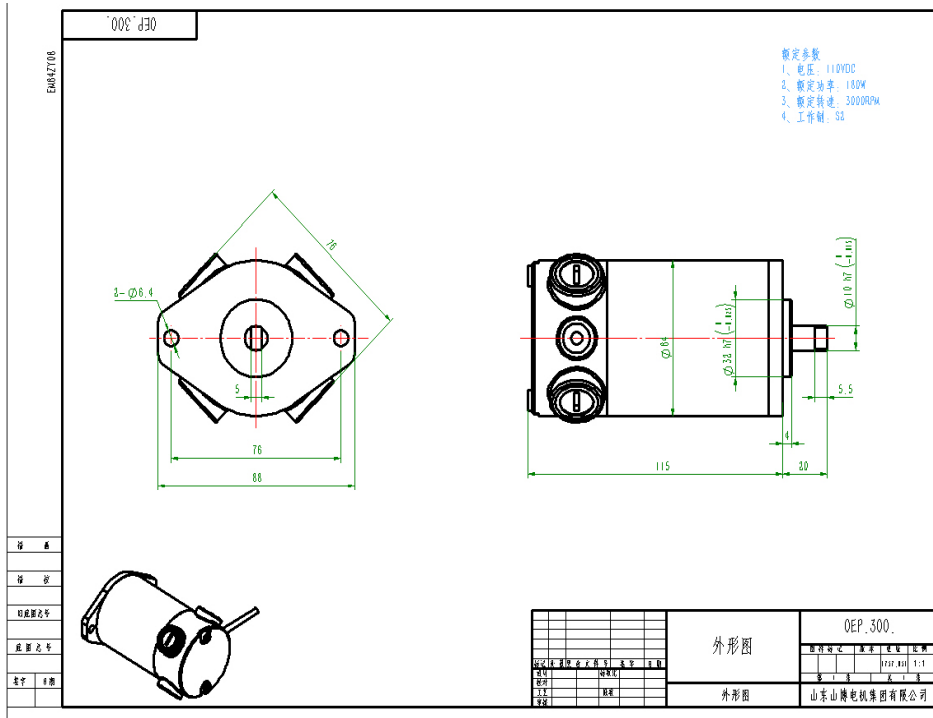
### installation instructions

As the requirements of clients/Adjustable

## specifications

product model	voltage	torque	speed	power	current	working duty	protection class	other
EM64ZY08	110V DC		3000RPM	180W		S2		

## Outline and installation dimensionsappearance



# packaging

Inner packing: lpc/polystyrene surround with polyethylene bag.  
 Outer packing: Cardboard cartons with printed labels detailing reference, shrink-wrapped and cardboard jacket placed over carton with printed label detailing packing list.

# certificate

**Shandong Shanbo Electric Machine Group Co.,Ltd**  
**(Boshan Motor Factory)**  
**address: NO.76 Beishan Road Zibo Shandong 255200 China**  
**telephone number:+86 533 3571651**  
**Fax:+86 533 3571655**  
**Email:info@shenbomotor.cn**