

123ZDY

overview



features

application

Home application/Industrial/Boat/Truck/Driving part/Textile

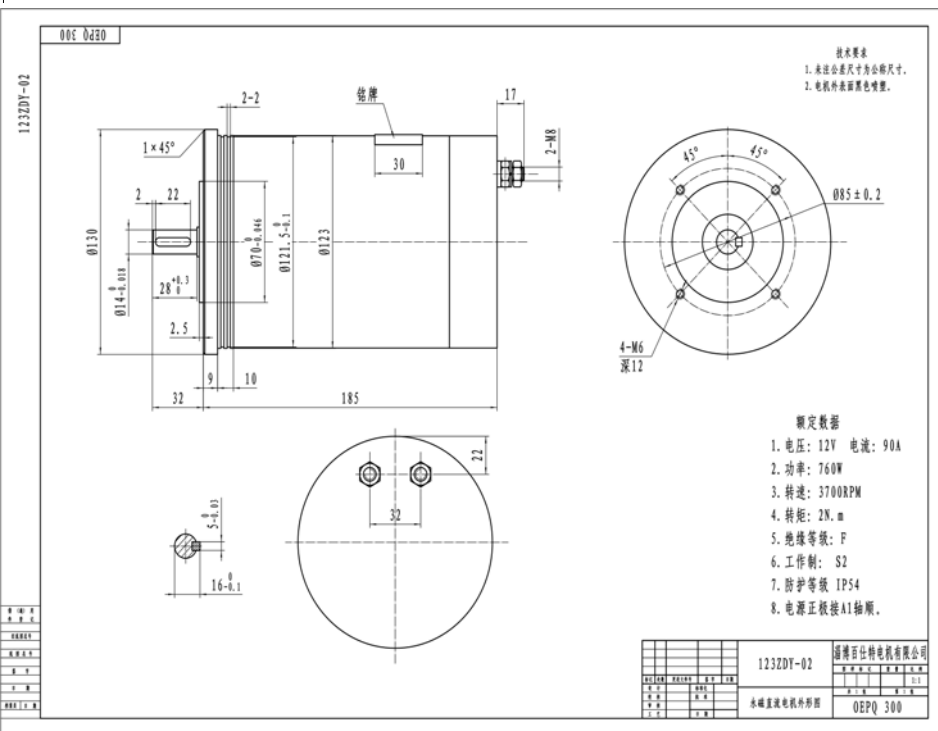
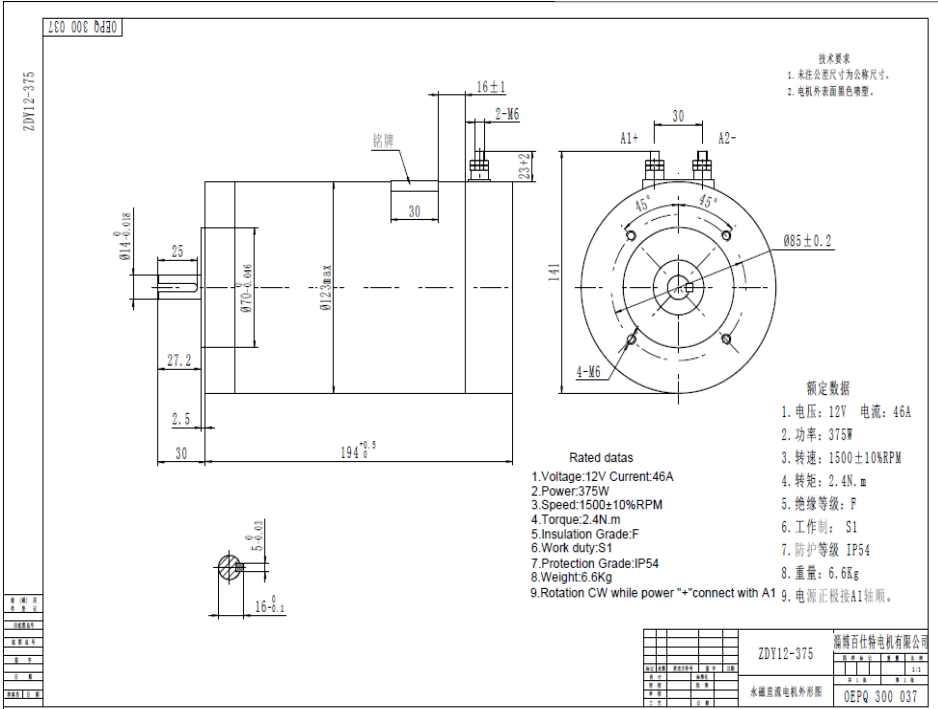
installation instructions

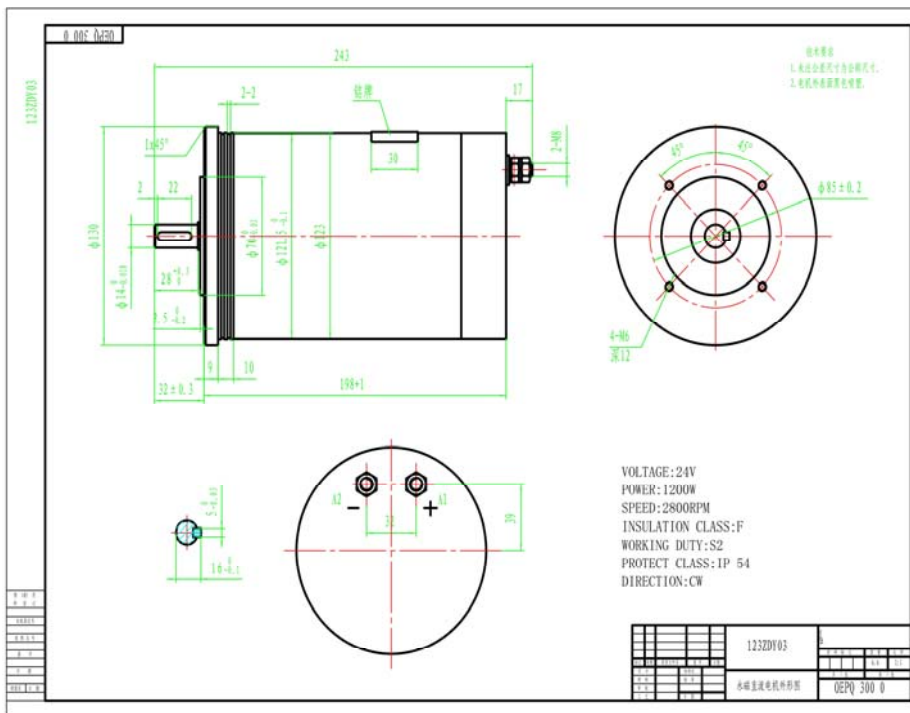
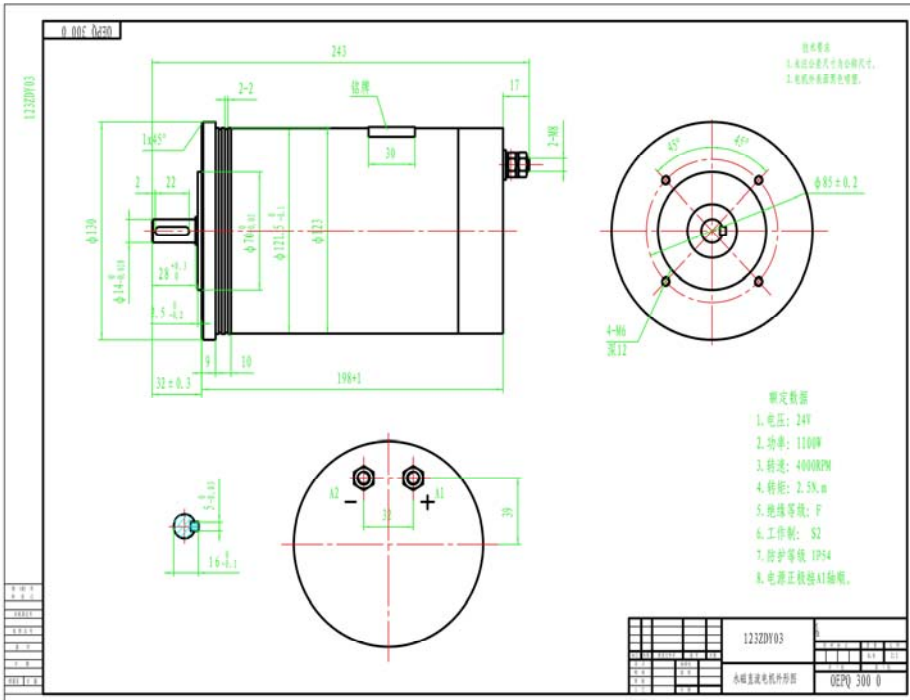
As the requirements of clients/Adjustable

specifications

product model	voltage	torque	speed	power	current	working duty	protection class	other
123ZDY-02	12V	2N. m	3700RPM	760W	90A	S2	IP 54	Insulation Class:F
123ZDY-03	24V		2800RPM	1200W		S2	IP 54	Insulation Class:F
123ZDY-05	48V	1. 8N. m	3000±10%	560W	18A	S1	IP 56	Insulation Class:F
123ZDY03	24V	2. 5N. m	4000RPM	1100W		S2	IP 54	Insulation Class:F
123ZDY-08	12V	1N. m	1500RPM	350W	50A	S2	IP 54	Insulation Class:F
123ZDY-09	24V		2800±10%	560W	36A	S1	IP 56	Insulation Class:F
123ZDY-01	12V	1N. m	4800RPM	500W	70A	S2		Insulation Class:F

Outline and installation dimensionsappearance





packaging

Inner packing: lpc/polystyrene surround with polyethylene bag.

Outer packing: Cardboard cartons with printed labels detailing reference, shrink-wrapped and cardboard jacket placed over carton with printed label detailing packing list.

certificate

Shandong Shanbo Electric Machine Group Co.,Ltd
(Boshan Motor Factory)
address: NO.76 Beishan Road Zibo Shandong 255200 China
telephone number:+86 533 3571651
Fax:+86 533 3571655
Email:info@shenbomotor.cn